

200A, 25 kV Class Loadbreak Portable Feed Thru



APPLICATION

The Chardon 200A, 25kV Class Loadbreak Portable Feed Thru is designed to be installed on a parking stand, attached to a transformer or other apparatus. Two bushing insert loadbreak interfaces can be mated with an elbow arrester, a loadbreak elbow, or an insulated cap. When mated with other products that meets IEEE Standard 386, the portable feed thru provides a fully shielded, submersible connection for loadbreak operation.

The Chardon Portable Feed Thru meets all the requirements of IEEE Standard 386, and is fully interchangeable with competitor's products and mating products that also meet IEEE Standard 386. The indicating ring design eliminates the guesswork of loadbreak installation, it provides feedback to determine if the elbow is properly installed.

PRODUCTION TESTS

Tests conducted in accordance with IEEE/ANSI Standard 386.

- Minimum Corona Voltage Level – 19 kV
- AC 1 Minute Withstand – 40 kV

Tests conducted in accordance with Chardon manufacturing process requirements:

- Physical Inspection
- Periodic Dissection
- Periodic X-ray Analysis

VOLTAGE RATINGS

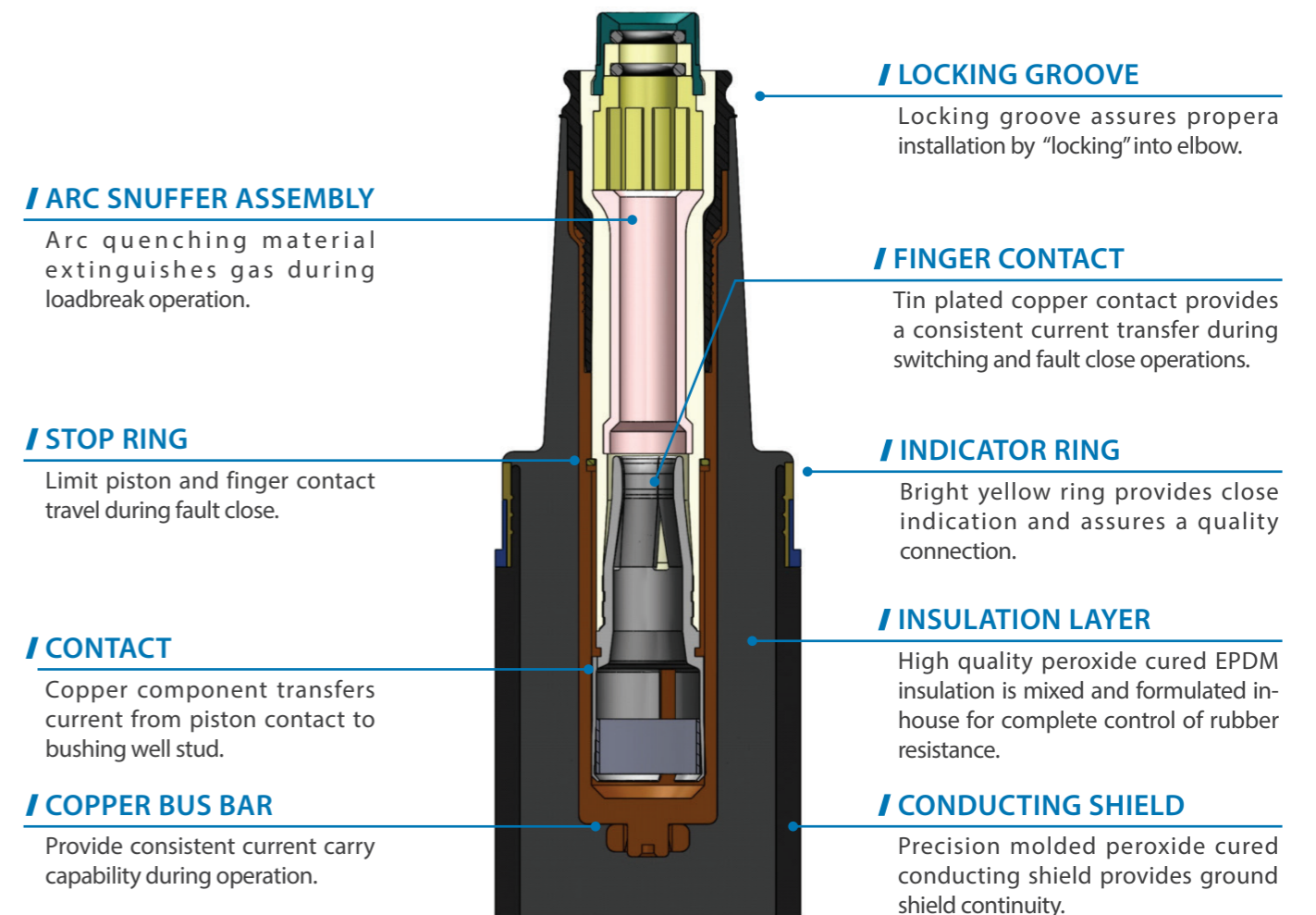
Voltage Class	25 kV
Max. Rating Phase to Phase	26.3 kV
Max. Rating Phase to Ground	15.2 kV
AC 1 Minute Withstand	40 kV
DC 15 Minute Withstand	78 kV
BIL and Full Wave Crest	125 kV
Minimum Corona Voltage Level	19 kV

• 25LPFT200-051116-REV01

CURRENT RATINGS

Description	Test Parameters
Continuous	200 amps rms
Switching	10 operations at 200 amps rms at 26.3 kV
Fault Close	10,000 amps rms symmetrical at 26.3 kV for 0.17 s after 10 consecutive successful switching operations
Short Time	• 10,000 amps rms symmetrical for 0.17 s • 3,500 amps rms symmetrical for 3.0 s

DETAILED COMPOSITION OF THE CHARDON LOADBREAK PORTABLE FEED THRU



ORDERING INFORMATION

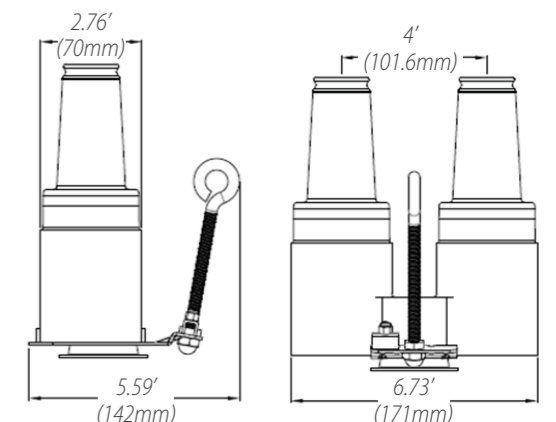
Each Portable Feed Thru kit includes the following:

- Portable Feed Thru with Bracket
- Shipping Cap (not for energized operation)
- Stainless Steel Bail Assembly
- Installation Instruction Sheet

To order the 25kV Class Portable Feed Thru Kit, use the P/N below:

**25kV Loadbreak
Portable Feed Thru**

25-LPFT200





CHARDON TAIWAN CORPORATION

No.37 Min-Chie Road, Tung Lo
Industrial Park, Miao Li, Taiwan 366

Tel : +886-37-984385

Fax : +886-37-984770

www.chardongroup.com • info@chardongroup.com